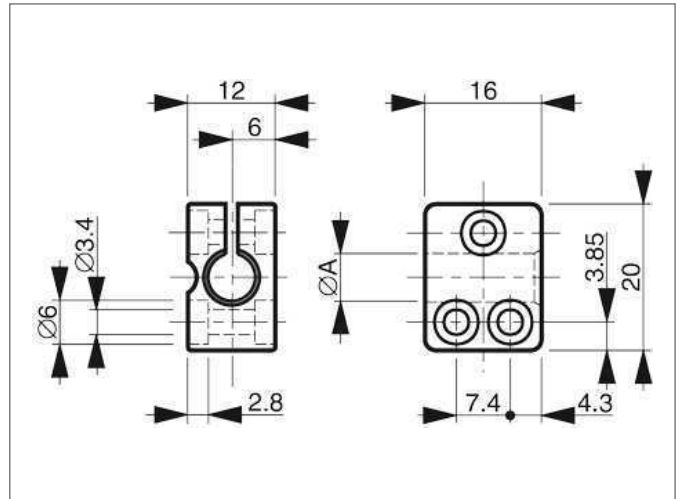


## SH 3 Sensor Holder

- For cylindrical Sensors of  $\varnothing 3$  mm or thread M3
- Simple installation
- Reduced mounting/downtimes thanks to one-piece construction
- Sensor exchange without changing the clamp position
- Oblong holes permit clamp adjustment



### TECHNICAL INFORMATION (typ.)

	<b>+20°C, 24V DC</b>
Size	12 x 16 x 20 mm (Dimensions) 3,0 mm (Clamping diameter A)
Characteristics	without limit stop
Casing material	plastics (polyamide - PA 6 GK)